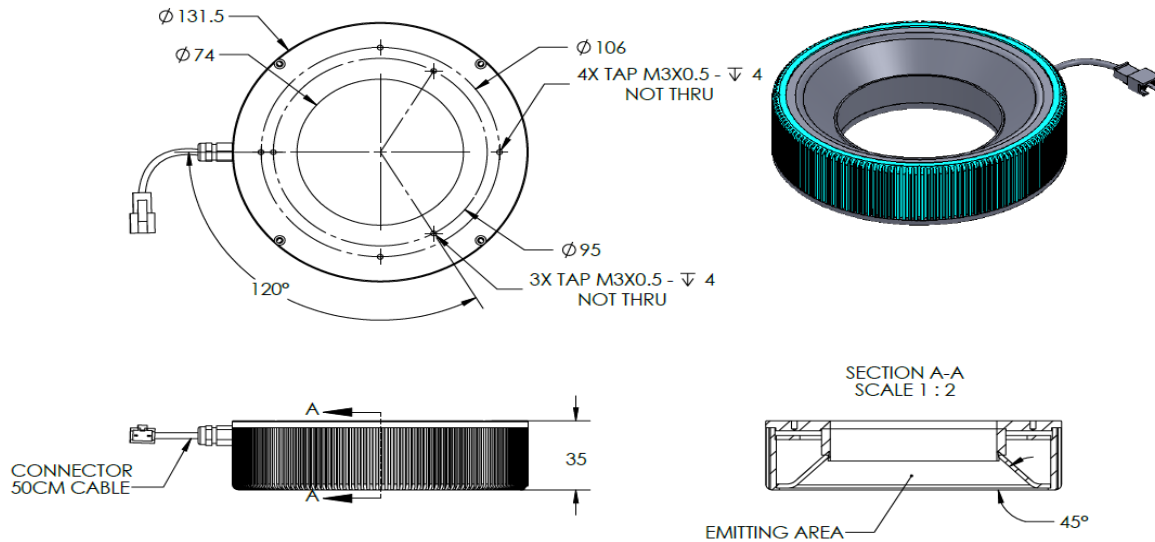


ILLUMINATOR DATA

LT3RZF0130-45-1-R-24V


Lighting Dimension



Mechanical Information	
Casing Material	Aluminium
Storage Temperature Range	0 - 45°C
Weight	280g
Length / Outer Diameter	131.5mm
Width / Inner Diameter	74mm
Thickness/Height	35mm

ILLUMINATOR DATA

Optical Information			
Part Number		LT3RZF0130-45-1-R-24V	
LED Color		RED	
Wavelength	(nm)	620nm	
Intensity (±15%)	(Lux)	3919 lx	4018 lx
Working Distance	(mm)	24mm	35mm
Working Distance			49mm
Illumination (number of row)		1	
Illumination Active Area			
Active Length / Outer Dia.	(mm)	119.5mm	
Active Width / Inner Dia.		76mm	
Emission angle	(deg.)	45	
Eye Safety Class (IEC62471)		EXEMPT	
*CHROMATICITY TABLE			
Electrical Information			
Lighting Supply Voltage (constant voltage mode)		24V ± 2%	
Continuous Current	(mA)	360mA	
Power Consumption	(W)	8.64W	
Lighting casing temperature, after 60 minutes	Operating °C	53°C	
Strobe Mode Specification			
Pulse Operation		YES	
Max. Lighting Supply Voltage (Constant voltage power supply)	(V)	Pulsing at 24VDC to 48VDC, 0-10% Duty Cycle Recommended at 36VDC	
Pulse Current, (Max. 10msec) (Constant current power supply)	(mA)	1230mA	
Max. Trigger Pulse Duration	(msec)	10	
Duty Cycle		0-10%	
Additional Information			
Additional Cooling Method		Attached to machine part for better heat dissipation	
Intensity Controller Selection		SD, ST, ANG, LC, SDA, SDP series	
CE Conformity		YES	
RoHS Compliance		YES	
Connection			
Connector Type (Default):		JST SMR-03V	
Cable Length out from lighting :	(mm)	500	
Pin Configuration :		Pin	Signal
		1	LED +
		2	N.C.
		3	LED -
			Cable Color
			RED

			WHITE
			
Application			
Illumination Type		Diffused Illumination	
Application Use		Character recognition on shining surface, lead inspection	